

ZIPSCREEN

Motorized Outdoor Shading Solution



With the ability to achieve up to 18' widths and 24' drops, covering a maximum of 220 square feet, the S60 with ZipScreen feature consists of robust hardware and an optional premium aluminum headbox, providing a solution for large size shading systems for a premium aesthetic and significant impact on design and solar control. The ZipScreen is a zippered side shade band retention system that eliminates light gaps, adds impact resistance, helps large shades track perfectly, and helps shades hang perfectly versus ambient room air movement. Significantly heavier and impressive shading systems require precision engineered, heavy duty hardware, that can support multiples of its own weight. Heavy duty steel brackets and locking idler and motor side features provide maximum security for larger applications. The perfect solution for internal commercial applications; instead of splitting shades with links, which creates additional center light gaps, the S60 system with ZipScreen creates new opportunities to achieve greater, grander, more beautiful shades with enhanced privacy and security.

FEATURES

- Maximum widths up to 18' and maximum drops to 20', with the ability to cover a maximum of 220 square feet before linking.
- Optional aluminum headbox with matching end plates for a premium finish
- Vertical adjustable brackets for easier and more accurate installation
- Locking bearing idler for added security.
- Driven by our Automate Line Voltage (120V) line of motors from 6 NM to 15 NM for large applications
- Powering options include low voltage power panel or transformer, or internal Li-ion battery system with solar PV array for trickle charging
- ZipScreen premium guide track for additionally secure or non-traditional applications
- Impact resistance.
- Tall shades that track better with No side or center light gaps.

MINIMUM WIDTH DIMENSIONS

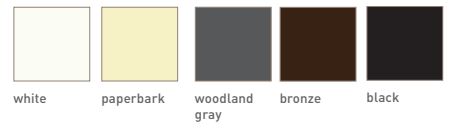
- 15 Nm Motor - 805mm (31.7")
- 10 Nm Motor - 905mm (35.6")



Match this solution with Textstyle X-Weave range for a complete finished solution. See our document library for comprehensive information.



COLORS



CONTROL OPTIONS

Automate Pulse Hub
[Smart Phone Control]



Automate Solar Charger
[energy efficient]



Automate ARC Repeater
[Extends the ARC signal]



Automate Remotes
[Hand held or wall mounts]



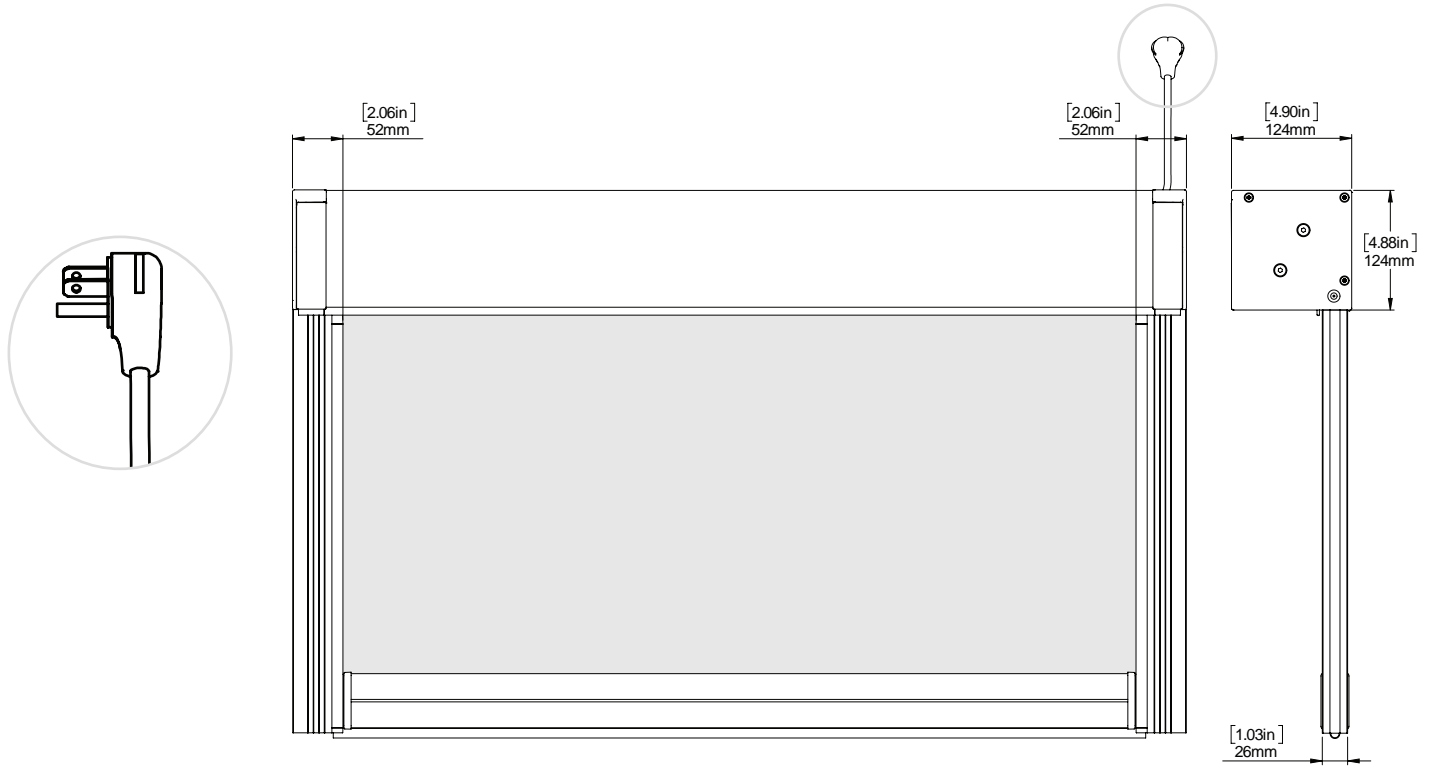
Automate Sun Sensor
[Detects sunlight to control shade]



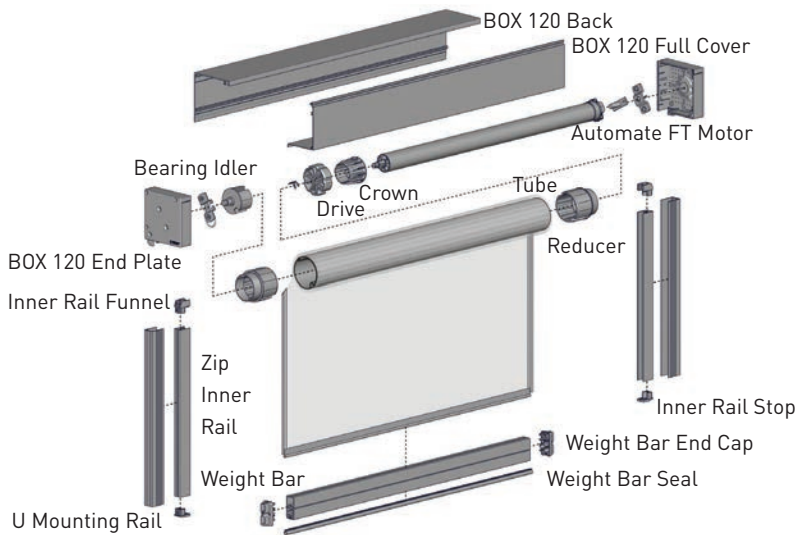
DC Power Channel
[Provides power for 18 DC ARC motors]



FRONT & SIDE VIEW

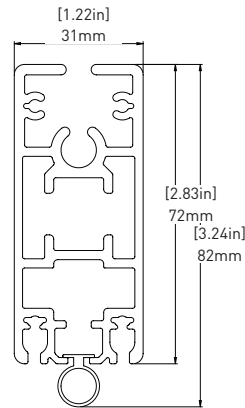


SCHEMATIC

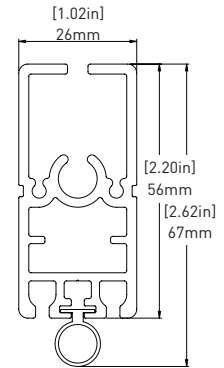


BOTTOM RAIL OPTIONS

F72



F56



CONFIGURATIONS

Full enclosed
Cassette



Semi fascia



Open Bracket

