

Solar Metal Roof Mounting System



Features

Stability

Provides a stable base for solar panels to withstand harsh weather conditions.

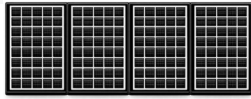
Easy to install

The installation process is quick and simple, saving time and labor costs.

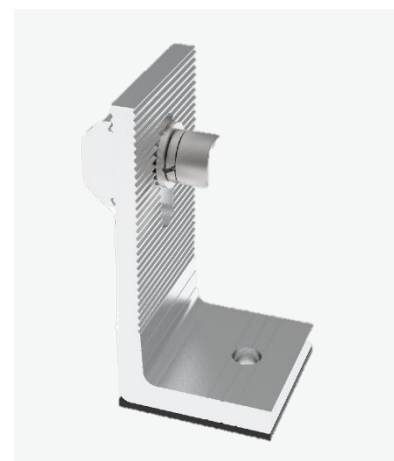
Corrosion resistance

The material is corrosion resistant, which extends the service life of the system.

Specification

System Series	Solar Metal Roof Mounting System – 4 Panel
Application	Metal Rooftop
Tile Angle	Parallel to roof slope
Wind Load	<80m/s
Snow Load	Up to 1.4 kN/m ²
Solar Module	Frame or Frameless
Panel Layout	
Design Standard	AS/NZS 1170 / JIS C8955-2017 and other international standards
Material	AL6005-T6& SUS304
Color	Silver
Warranty	10 years warranty and 25 years service life

Components



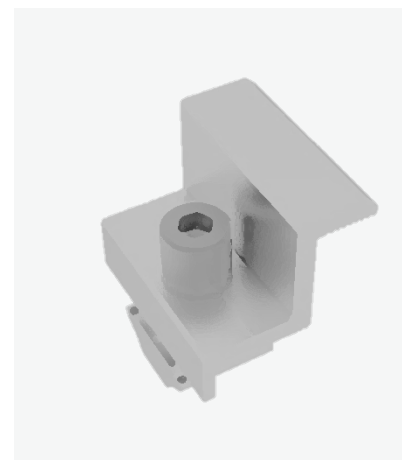
L Foot X 8



Steel Screw X 8



Middle Clamp X 6



End Clamp X 4



Rail not included

Installation

